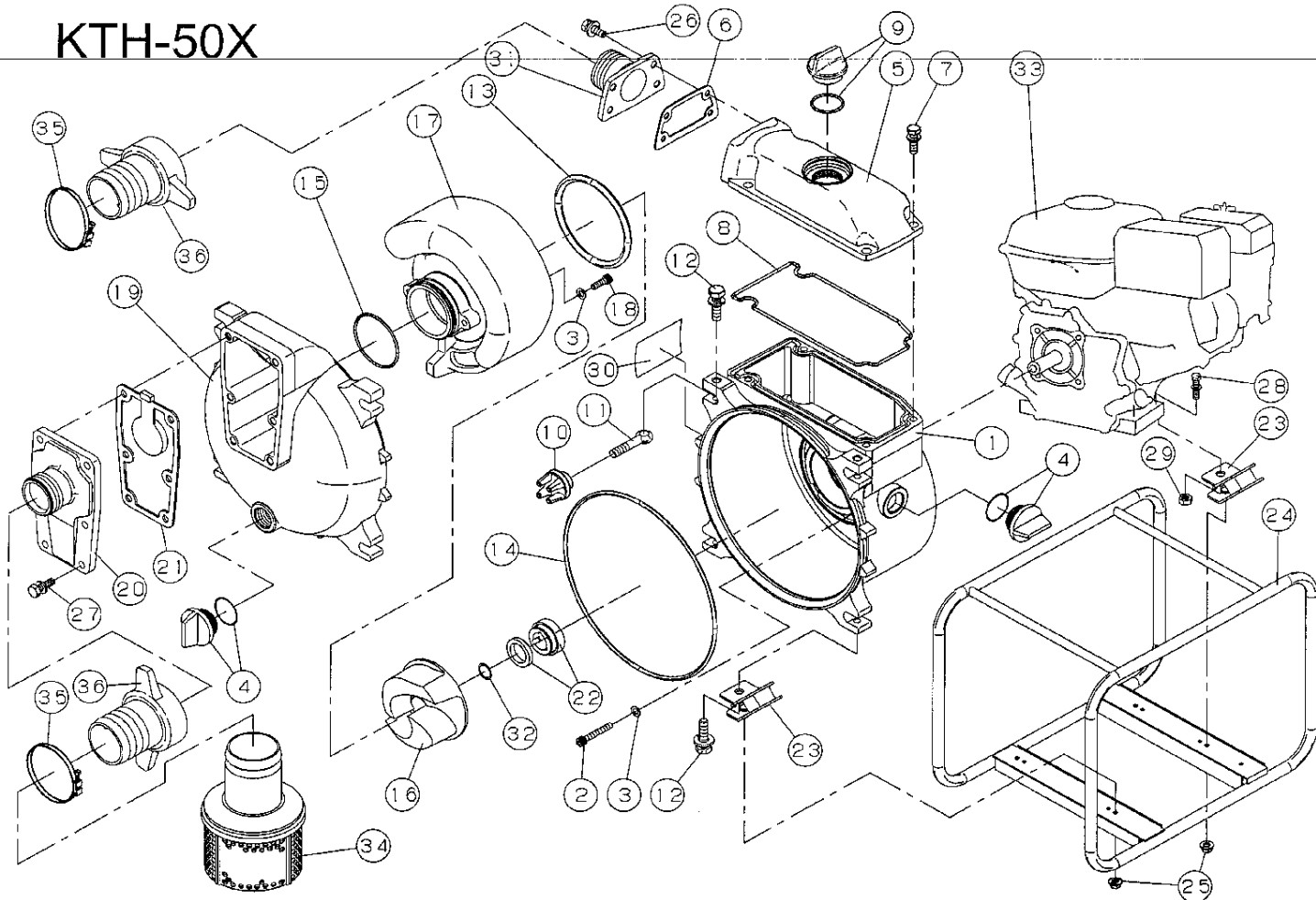


KTH-50X



DRG No.0128569 MODEL: KTH-50X FORM:KTH-50X-BAB

No.	Parts Code	Parts Name	QTY	Material	Remarks
1	0115446	KTH-50X PUMP HOUSING	1	ADC	
2	734532075	SOCKET BOLT	4	M8X55SCM	
3	854255008	SEAL WASHER	6		
4	0118079	25A PULG SET	2		
5	0115445	KTH-50X DELIVERY HOUSING	1	ADC	
6	0115490	KTH-50X DELIVERY FLANGE PACKING	1	CR	
7	743119063	HEXAGON BOLT	4	M10X30	
8	0115548	KTH-80X HEAD PACKING	1	NBR	
9	0118450	32A PLUG SET	1		
10	0115590	KTH-80X NOB	4		
11	0115580	KTH-80X COVER BOLT	4	S35C	
12	743119083	HEXAGON BOLT	4	M12X45	
13	0115578	KTH-80 CASING PACKING	1	NBR	
14	0115579	KTH-80X FRONT COVER PACKING	1	NBR	
15	0115676	KTH-80X O-RING	1	NBR	
16	0115447	KTH-50X IMPELLER	1	HTFC	
17	0115489	KTH-50X VOLUTE CASING	1	FCD	
18	734505066	HEXAGON SOCKET BOLT	2	M8X25	
19	0115545	KTH-80X FRONT COVER	1	ADC	
20	0115839	KTH-50X SUCTION FLANGE	1	ADC	
21	0115780	KTH-50X CHECK VALVE	1	NBR	
22	0115159	SEH-50T MECHANICAL SEAL	1	SIC	
23	0115679	KTH-80X RUBBER MOUNT	4	CR	
24	0117524	KTH-50X-BAA BASE SET	1	BLACK	
25	842319008	M8 SPRING NUT	4	SWRM	
26	743119046	HEXAGON BOLT	4	M8X22	
27	743119061	HEXAGON BOLT	6	M10X25	
28	743119051	HEXAGON BOLT	2	M8X35	
29	838719008	HEXAGON NUT	2	M8	
30	0115858	NAME PLATE	1		
31	0115840	KTH-50X DELIVERY FLANGE	1	ADC	
32	0110491	SEH-80 IMPELLER WASHER	3	BSP	
33	0115612	GX160K1WKT4 WITH OIL ALERT	1		
34	0110977	50MM STRAINER	1	SPC	
35	940407060	BAND	3	2 inch	
36	0117026	SE-50X COUPLING SET	2	ABS	